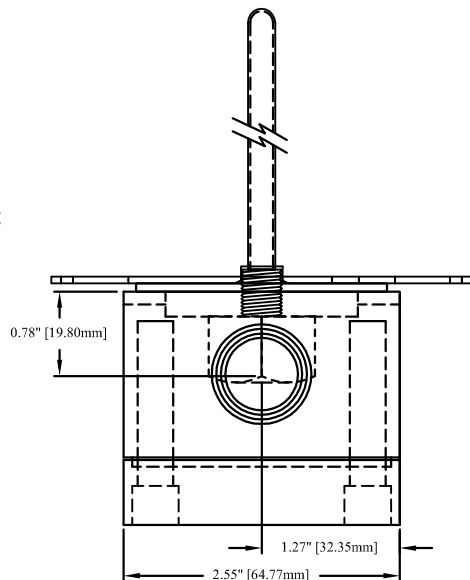


**End View:**

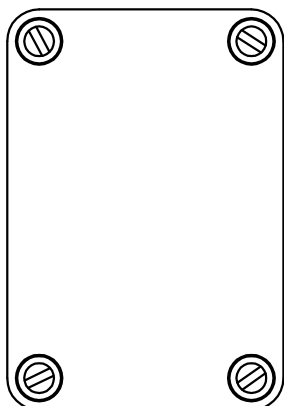


**TABLE A**

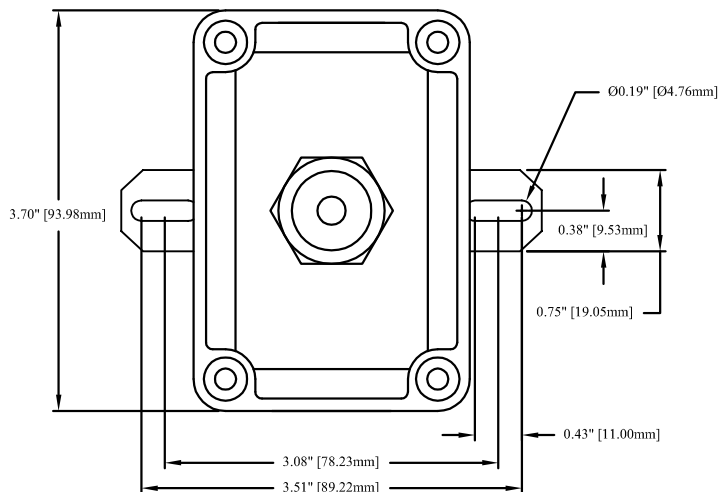
Part Number	Probe Length	Ref A (Insertion Length)
A/xx-D-2"-4X	2"	1.44" ± 0.13"
A/xx-D-4"-4X	4"	3.44" ± 0.13"
A/xx-D-6"-4X	6"	5.44" ± 0.13"
A/xx-D-8"-4X	8"	7.44" ± 0.13"
A/xx-D-12"-4X	12"	11.44" ± 0.25"
A/xx-D-18"-4X	18"	17.44" ± 0.25"

Note: "xx" = Sensor Type

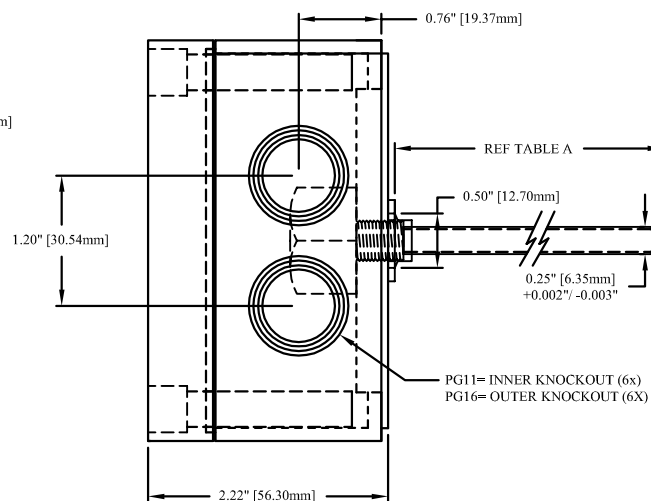
**Cover:**



**Front View, No Cover:**



**Side View:**



TOLERANCE: (UNLESS NOTED)  
 3 PLACE DECIMAL = ±0.010  
 2 PLACE DECIMAL = ±0.130  
 1 PLACE DECIMAL = ±0.300  
 ALL DIMENSIONS IN in[mm].  
 DRAWING NOT TO SCALE.

**WARNING!**  
 CONFIDENTIAL  
 INFORMATION--  
 PROPERTY OF ACI.  
 UNAUTHORIZED USE  
 STRICTLY FORBIDDEN.

**ACI**  
 Automation Components, Inc.

**DRAWING NUMBER**  
 M0000049

DATE	DESCRIPTION	DRAWN BY	APPROVED BY	DRAWING NUMBER	REV
02-12-13	DUCT TEMP w/ NEMA 4X BOX	TJD	TJD	M0000049	5